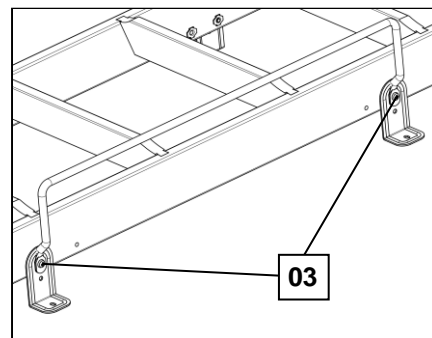


Einbauanleitung Handlauf

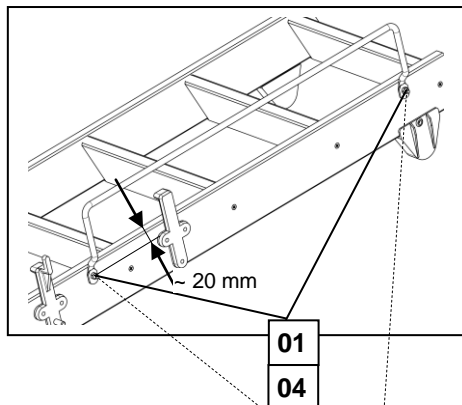
Installation instruction of the handrail

2 tlg., 3 tlg Treppe
Two-part, three-part staircase

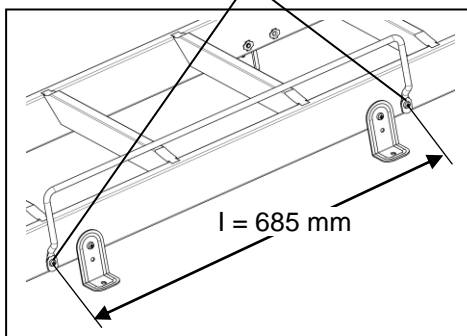


Handlauf l = 685
Handrail l = 685

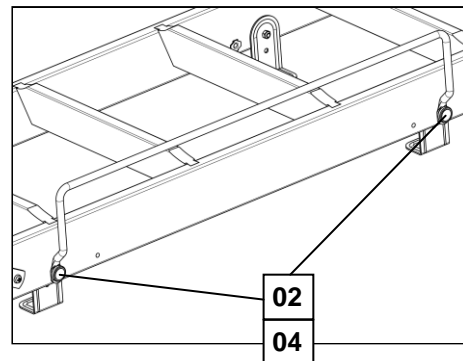
2 tlg. Treppe
Two-part staircase



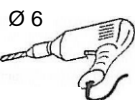
2 tlg., 3 tlg Treppe
Two-part, three-part staircase



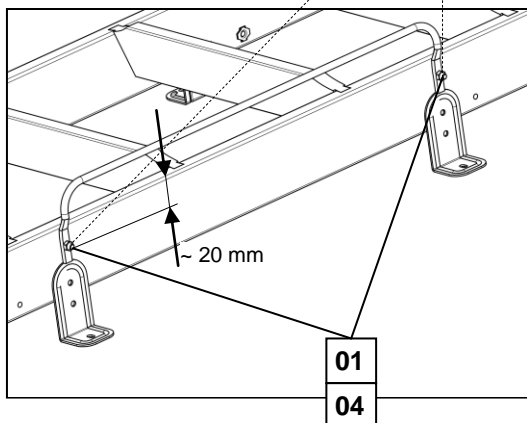
3 tlg. Treppe
Three-part staircase



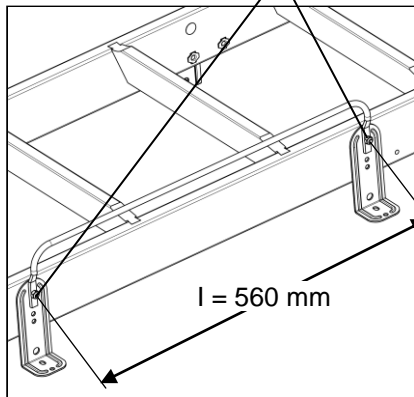
Handlauf l = 560
Handrail l = 560



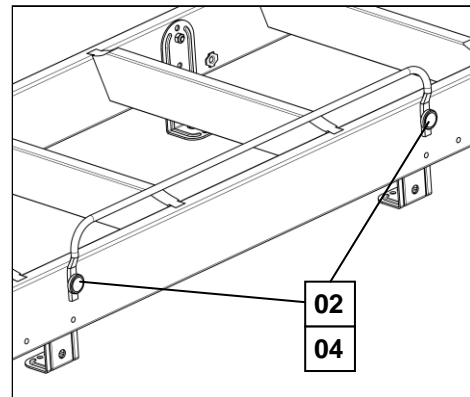
3 tlg. Treppe
Three-part staircase



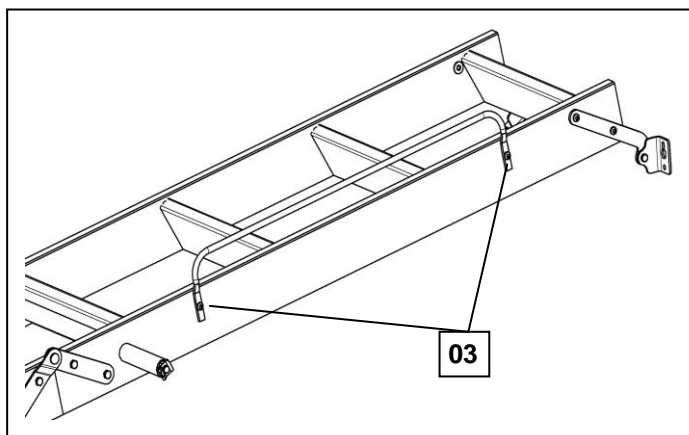
3 tlg. Treppe
Three-part staircase



3 tlg. Treppe
Three-part staircase



Designo



- 01) 2 Stck. Flachrundschr.m.4 kt. M6x35
Art.Nr.: E801-10015
1 pieces Screw M6x35
- 02) 2 Stck. Sechskantschraube M6x35
Art.Nr.: E801-10151
2 pieces Screw M6x35
- 03) 2 Stck. Linsenkopfschr.m. Kreuzschlitz M6x25
Art.Nr.: E801-63882
2 pieces Screw M6x25
- 04) 2 Stck. 6kt-Mutter M6
Art.Nr.: E803-10367
2 pieces Nut M6